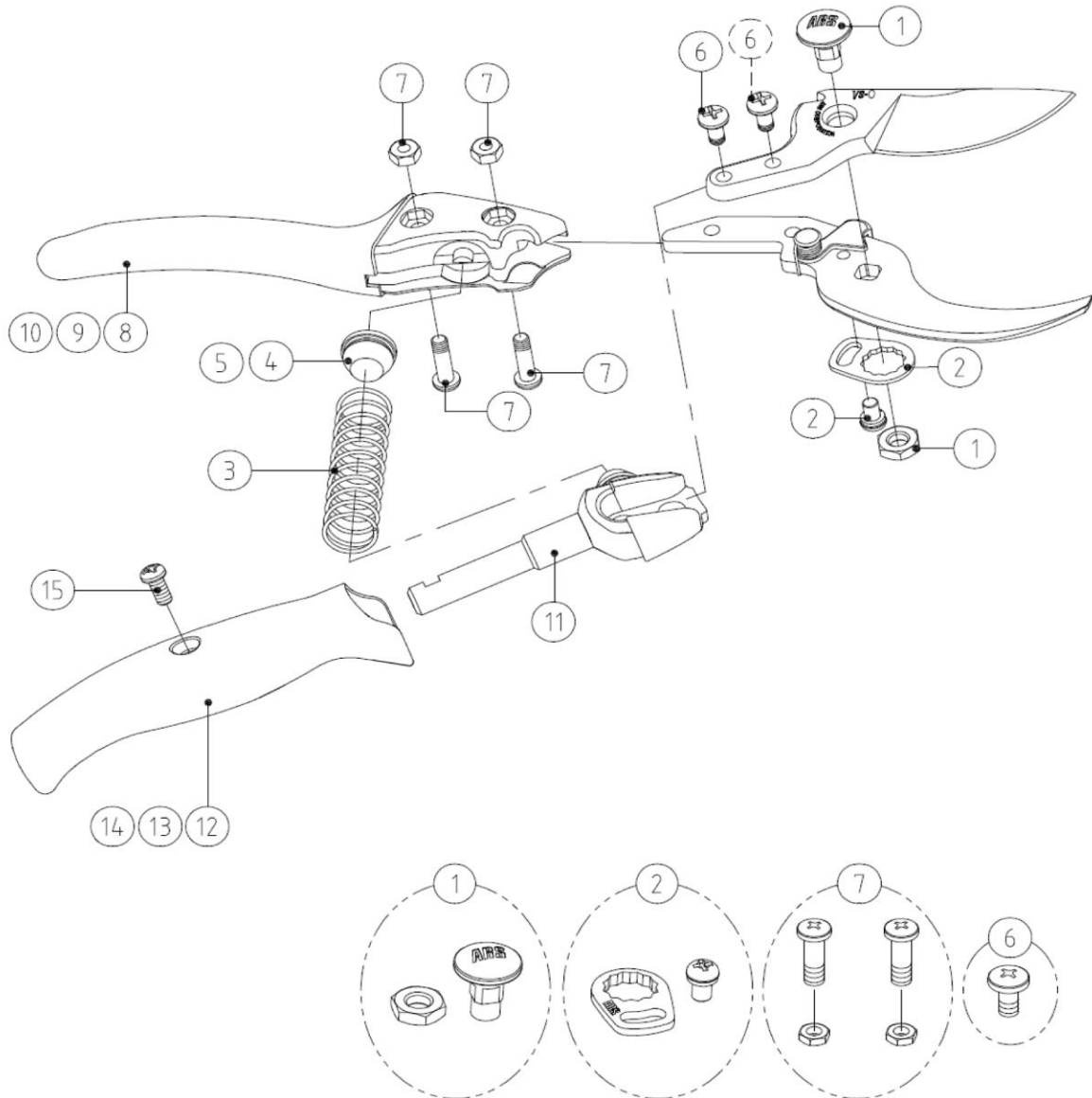


Parts Diagram for ARVS – 7XR/8XR/9XR Rotating Handle Secateurs



Current from: Jan 2018

Blades:	ARVS71	ARS Replacement Blade Set for ARVS7XZ/VS7XR
	ARVS72	ARS Replacement Cutting Blade for ARVS7XZ/ARVS7XR ARS Counter Blade for ARVS7XZ/ARVS7XR
	ARVS81	ARS Replacement Blade Set for ARVS8XZ/VS8XR
	ARVS82	ARS Replacement Cutting Blade for ARVS8XZ/ARVS8XR ARS Replacement Counter Blade for ARVS8XZ/ARVS8XR
	ARVS91	ARS Replacement Blade Set for ARVS9XZ/ARVS9XR
	ARVS92	ARS Cutting Blade for ARVS9XZ/ARVS9XR ARS Counter Blade for ARVS9XZ/ARVS9XR



1. ARSP474	Pivot Bolt & Nut, VS-X Series	9. ARSP396	Counter Blade Grip for ARVS8XR
2. ARSP475	Screw Retainer set for VS-X Series	10. ARSP402	Counter Blade Grip for VS9XR
3. ARSP61	Spring V7XR/V8XR/V9XR	11. ARSP398	Axle (Shaft) for Rotating Grip for ARVS7R/8R/9R
4. ARSP151	Repl. Buffer for ARVS8XR/VS9XR	12. ARSP416	Rotary grip for ARVS7XR
5. ARSP432	Rubber Cushion V7XR/V8XR/V9XR	13. ARSP397	Rotating Grip for ARVS8XR
6. ARSP394	Blade Holding Bolt VS8XR/VS9XR	14. ARSP403	Rotating Grip for ARVS9XR
7. ARSP323	Handle screw & nut V7XR/V8XR/V9XR	15. ARSP395	Bolt for Roll Grip for V7XR/V8XR/V9XR
8. ARSP415	Counter blade grip for ARVS7XR		

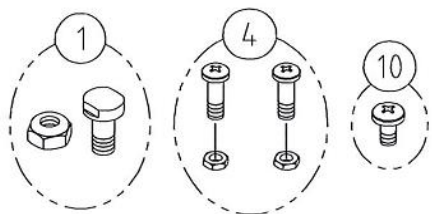
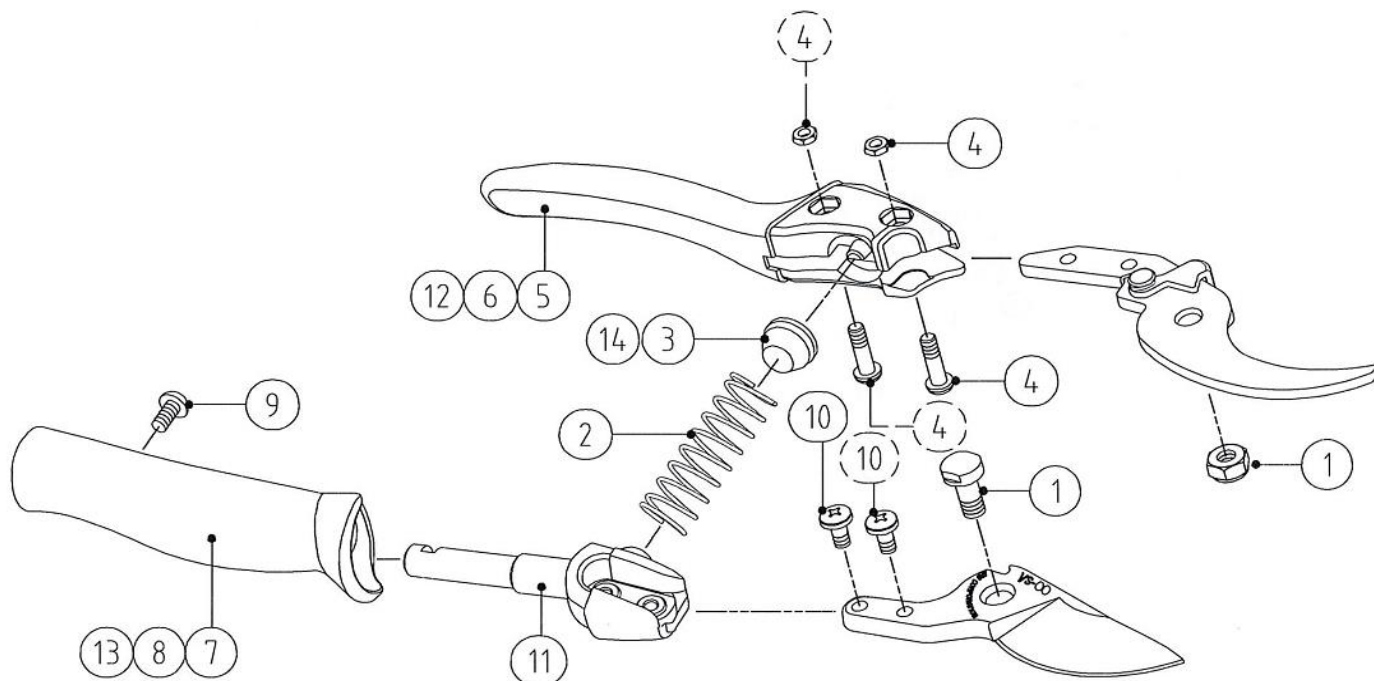
*Parts listed in grey not available

Parts Diagram for ARVS – 7R/8R/9R Rotating Handle Secateurs



Current from: 2011

Blades:	ARVS71	ARS Replacement Blade Set for ARVS7Z/VS7R
	ARVS72	ARS Replacement Cutting Blade for ARVS7Z/ARVS7R
	ARVS73	ARS Counter Blade for ARVS7Z/ARVS7R
	ARVS81	ARS Replacement Blade Set for ARVS8Z/VS8R
	ARVS82	ARS Replacement Cutting Blade for ARVS8Z/ARVS8R
	ARVS83	ARS Replacement Counter Blade for ARVS8Z/ARVS8R
	ARVS91	ARS Replacement Blade Set for ARVS9Z/ARVS9R
	ARVS92	ARS Cutting Blade for ARVS9Z/ARVS9R
	ARVS93	ARS Counter Blade for ARVS9Z/ARVS9R



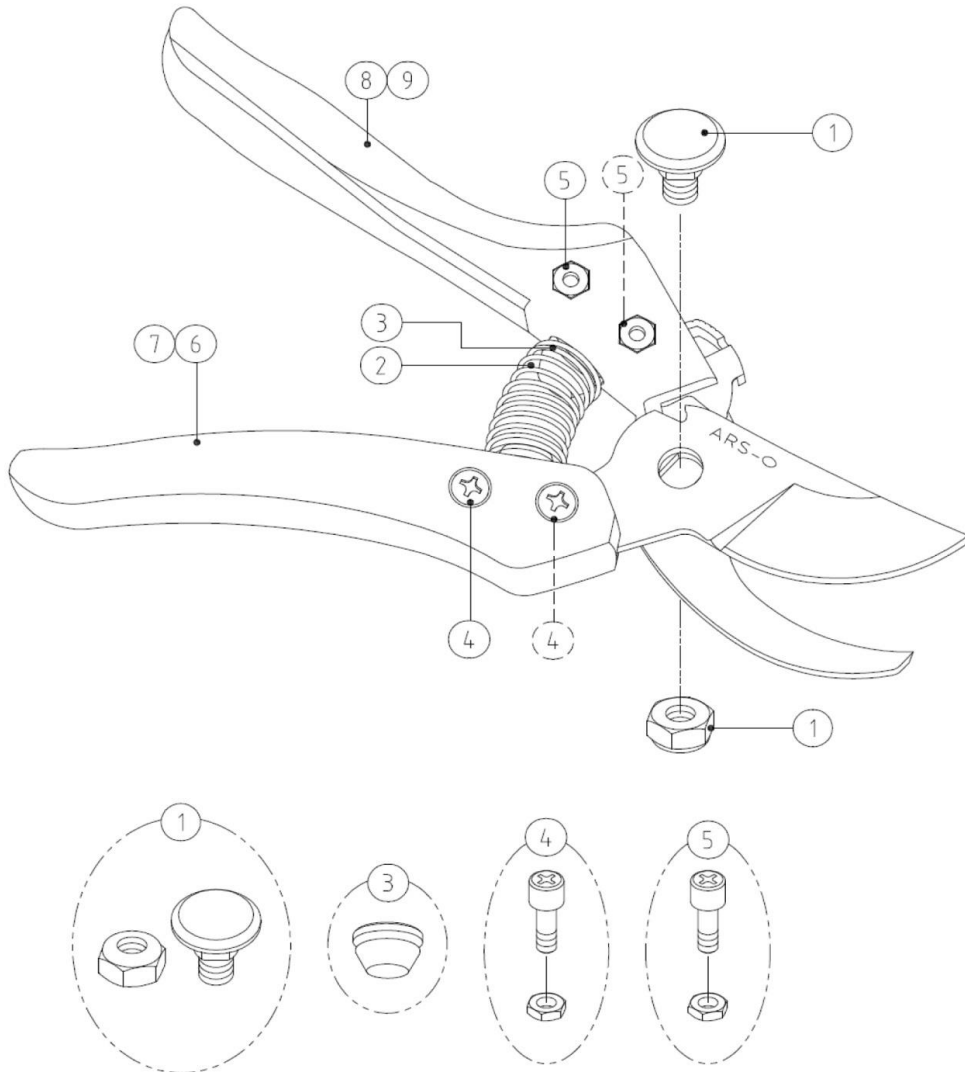
1. ARSP60	Pivot Bolt & Nut, V & VS Series	9. ARSP395	Bolt for Roll Grip for
2. ARSP61	Spring V7R/V8R/V9R	10. ARSP394	Blade Holding Bolt VS8R/VS9R
3. ARSP151	Repl. Buffer for ARVS8R/VS9R	11. ARSP398	Axle (Shaft) for Rotating Grip for
4. ARSP323	Handle Screw & Nut, VS series		ARVS7R/8R/9R
5. ARSP396	Counter Blade Grip for ARVS8R	12.	Counter Blade Grip for VS7
6.	Counter Blade Grip for VS9	13.	Rotary Grip for VS7R
7. ARSP397	Rotating Grip for ARVS8R	14.	Rubber Cushion for VS7
8. ARSP403	Rotating Grip for ARVS9R		

*Parts listed in grey not available

Parts Diagram for ARCB8/9 Fixed Handle & ARCB8/9 Rotating Handle Secateurs



Blades:	ARCB81	ARS Cutting Blade CB8
	ARCB82	ARS Counter Blade CB8
	ARCB91	ARS Cutting Blade CB9
	ARCB92	ARS Counter Blade CB9



1. ARSP217	Centre bolt & nut for CB8/ CB9/ CBR8/ CBR9	5. ARSP221	Bolt & nut for the counter blade grip for CB8/ CBp (1 PC EA)
2. ARSP61	Spring for CB8/ CB9/ CBR8/ CBR9 (was ARSP218)	6. ARSP313	Cutting blade grip for CB8
3. ARSP432	Rubber cushion for CB8/ CB9	7. ARSP315	Cutting blade grip for CB9
4. ARSP220	Bolt & nut for the cutting blade grip for CB8/ CB9 (1 PC EA)	8. ARSP314	Counter Blade Grip for CB8/ CBR8
		9. ARSP316	Counter Blade Grip for CB9/ CBR9

*Parts listed in grey not available