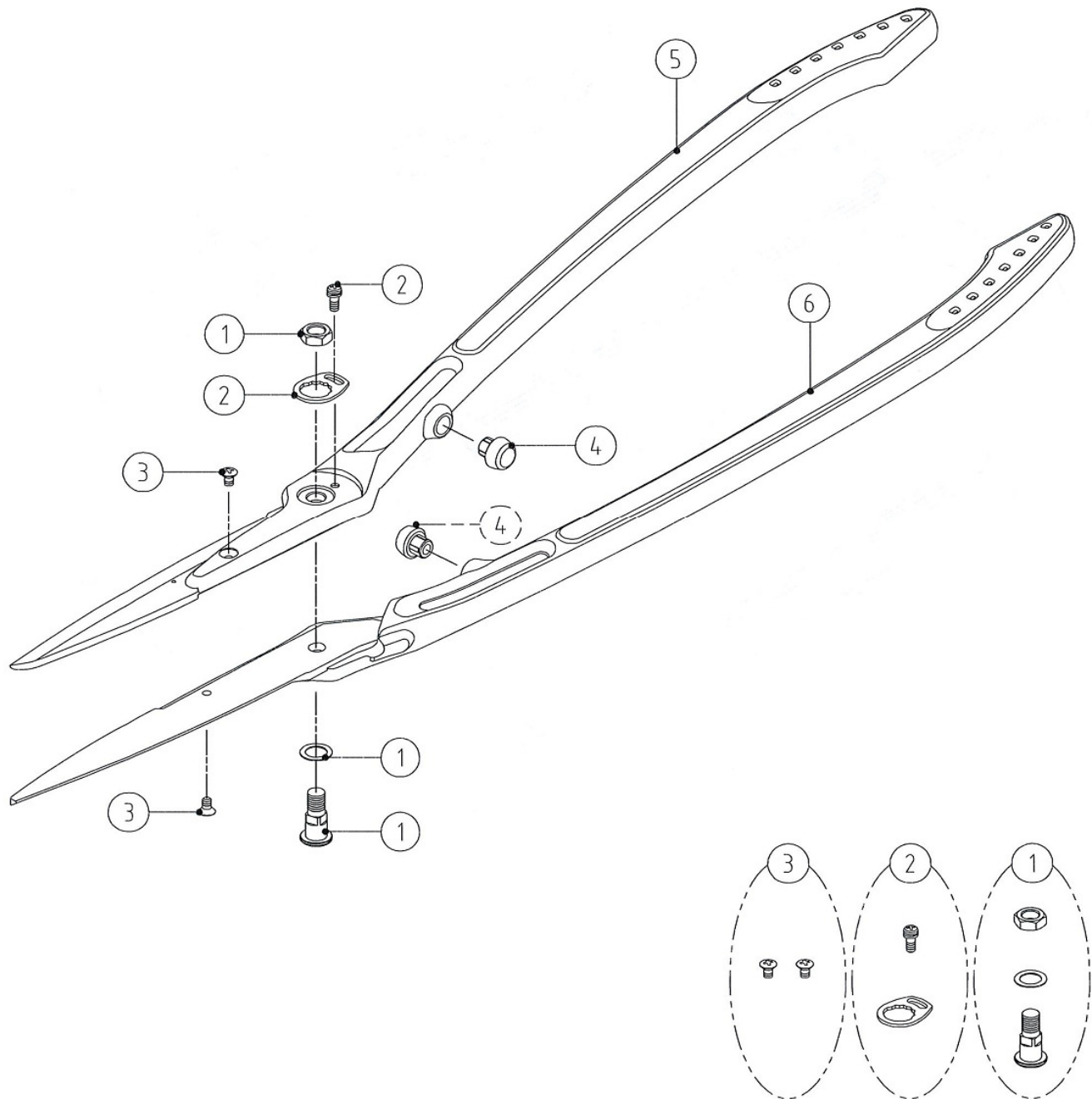


Parts Diagram for ARKR1000



Blade: ARKR10001 Blades for ARKR1000 Hedge Shears



- 1. ARSP437 Centre Bolt, Washer & Nut for KR1000
- 2. ARSP442 Centre Nut Retaining Set for KR1000
- 3. ARSP438 Blade Fixing Screw For KR1000 (2 pcs)
- 4. ARSP439 Rubber Cushion For KR1000
- 5. Right grip
- 6. Left grip

*Parts in grey not stocked