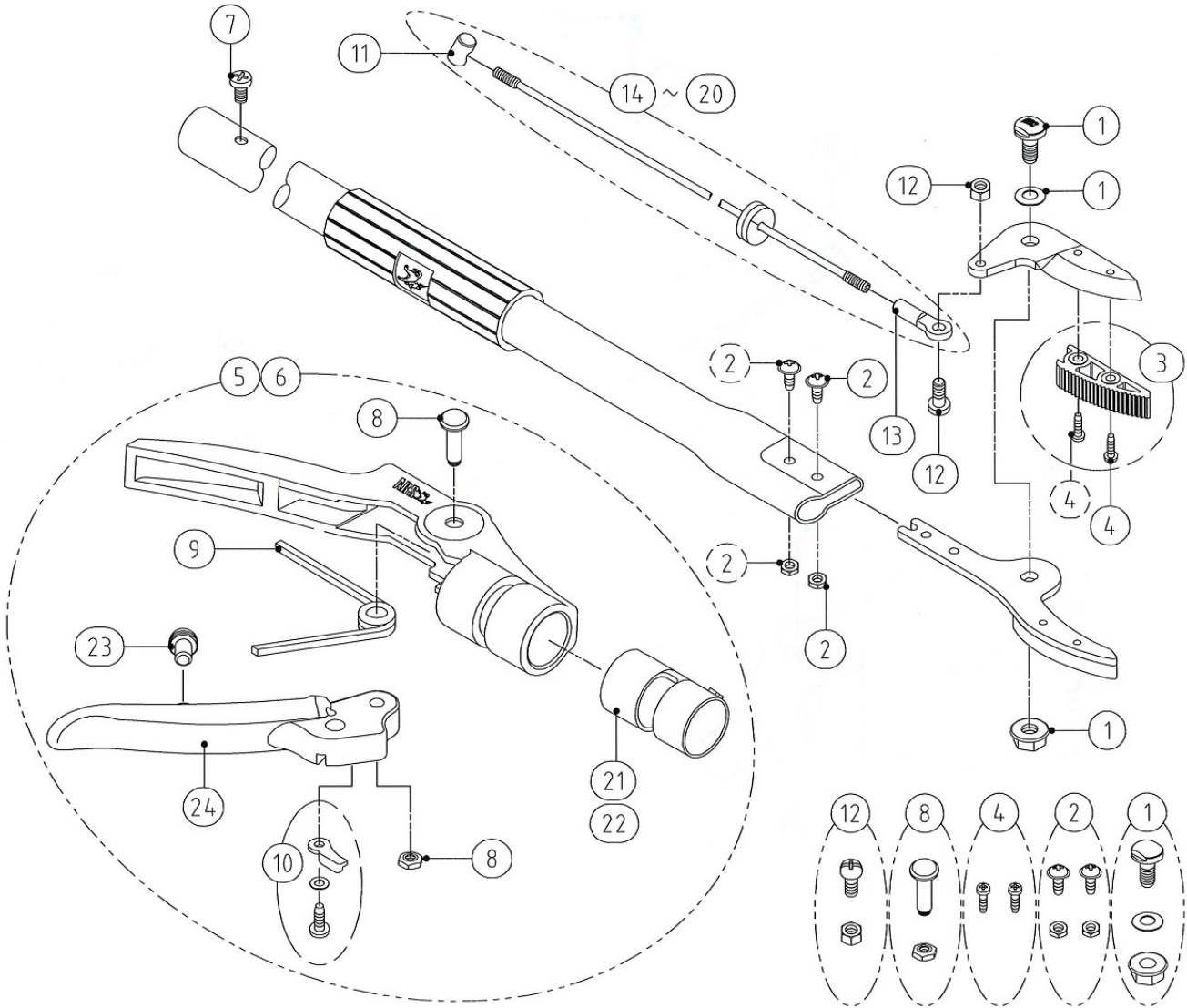


Parts Diagram for AR160/AR180 Long Reach Pruner Series



Blades: AR1601 Blade Set 160 Series
 AR1801 Blade Set 180 Series



1. ARSP30	Bolt/Nut/Washer 160/180	13. ARSP45	Rod Cap for Long Arm Pruner
2. ARSP31	Screw/Wash/Nut 160/180	14. ARSP46	Repl. Rod for AR160180
3. ARSP32	Holding device w/2 screws 160 series	15. ARSP48	Repl. Rod for AR160240
4. ARSP33	Bolt For Holding Device 160 Series	16. ARSP81	Repl. Rod for 160.35
5. ARSP38A	Handle Set 160-0.6, 1.2 & 1.8	17. ARSP82	Repl. Rod for 160.6
6. ARSP38B	Handle Set for 160-2.4	18. ARSP83	Repl. Rod for 160/1801.2
7. ARSP39	Screw Long Arm Pruner	19. ARSP84	Repl. Rod for 160/1802.1
8. ARSP40	Screw Handle Long Arm	20.	Rod set for 16015
9. ARSP41	Spring Long Arm Pruners	21. ARSP169	Sleeve for Grip of 160-0.6, 1.2, 1.8
10. ARSP42	Latch Lock Long Arm	22. ARSP168	Sleeve For The Grip Of 160-2.4
11. ARSP43	Rod Fix Part Long Arm	23. ARSP80	Buffer for 160 & 180 Series
12. ARSP44	Rod Fix Bolt Long Arm	24. ARSP145	Grip Lever Long Arm Pruner

*Parts in grey not stocked